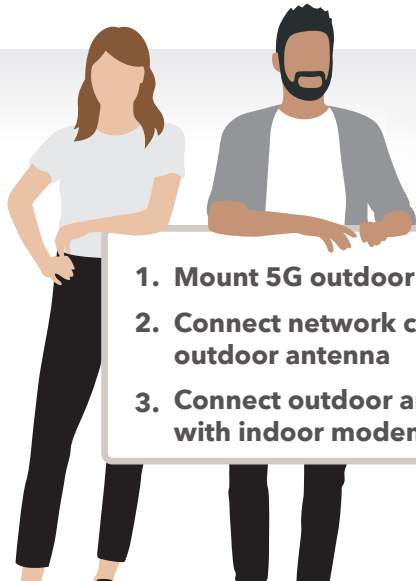


Sunrise Internet Box with 5G Outdoor Antenna



1. Mount 5G outdoor antenna
2. Connect network cable to outdoor antenna
3. Connect outdoor antenna with indoor modem

Sunrise

Included in delivery



Huawei 5G Antenna

- Huawei 5G Antenna (water and wind proof)
- SIM Card (already inserted in the 5G antenna)
- Allen key
- Armoured network cable 10m
(This cable in the metallic roll has been designed to withstand frictions and stresses that would damage standard cables. You can close a door or window over the cable without breaking or shattering it.)
- Signal adapter
- Base and metal pole strap



Sunrise Internet Box

- Sunrise Internet Box
- Power cable
- LAN cable

Here's an overview of the parts included in delivery.
Please only use these parts for installation.
Even if you just have to replace the box, change the existing cables with the new ones.



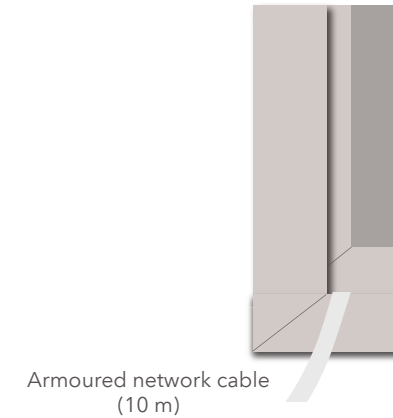
Installation overview

1 5G Antenna



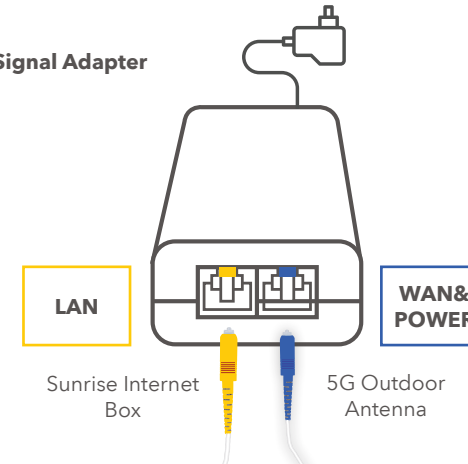
WAN&POWER
Signal Adapter

2 Window/door



Armoured network cable
(10 m)

3 Signal Adapter



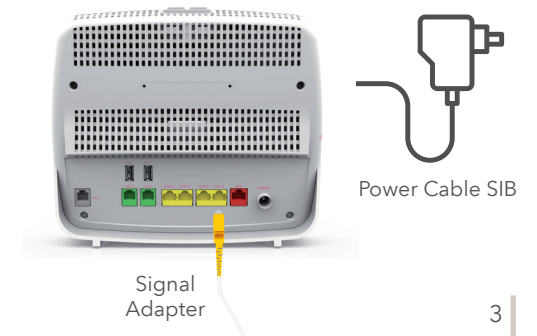
LAN

Sunrise Internet
Box

WAN&
POWER

5G Outdoor
Antenna

4 Sunrise Internet Box



Power Cable SIB

Signal
Adapter

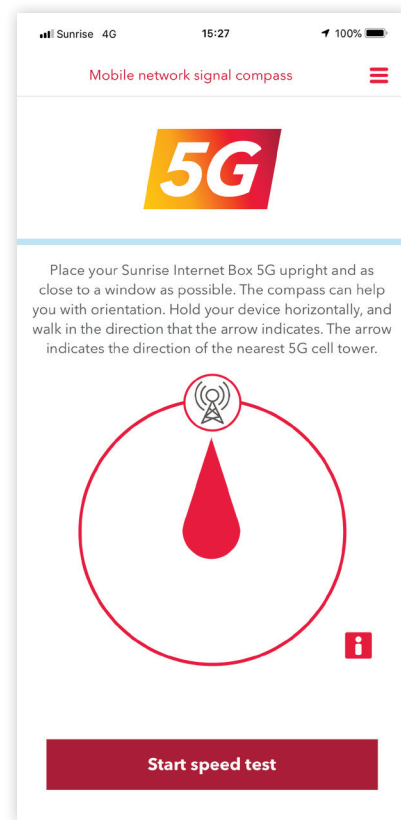
Important instructions

Have you received the **activation SMS**?

With the SMS you get confirmed, ...
... your internet line is activated,
... that you can start with the installation.

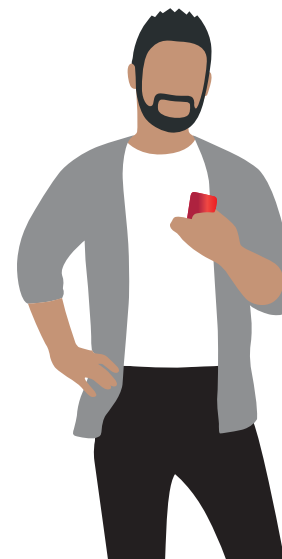
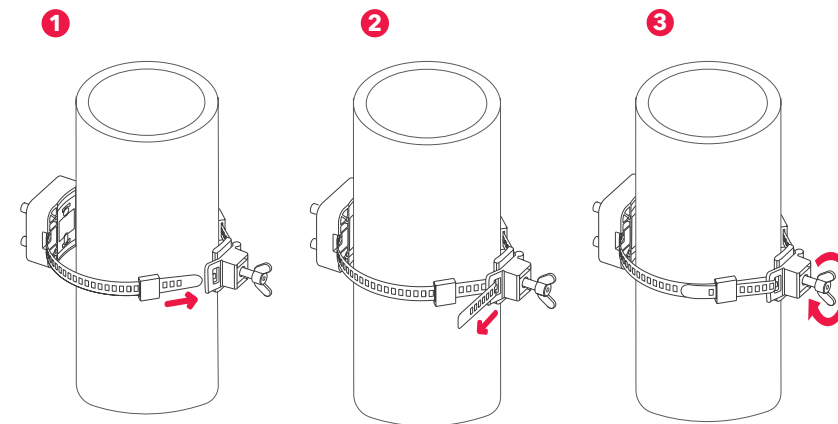
Best **5G reception** in your home.

When placing the outdoor CPE, you can use the **Sunrise Mobile Network app** (available free of charge in the PlayStore). Simply check the **signal compass** to see where the 5G reception is best.



1

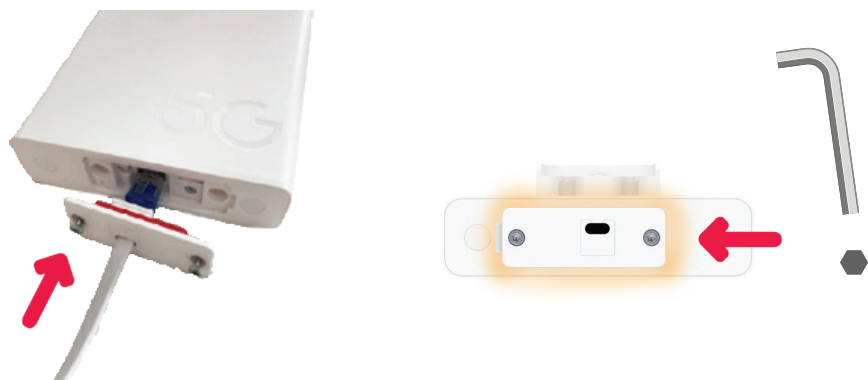
Assembly of the outdoor unit device



Attach the base of the outdoor unit to a stable vertical or horizontal rail/balustrade with the provided metallic strap.

Tighten up the screw until the base is firmly fixed.

2



Connect the **armoured network cable** into the outdoor unit. Make sure you hear the characteristic click confirming the correct connection of the plug into the socket.

Close the protective cover by tightening the screws with the provided Allen key.

3



You can now fasten the outdoor unit to the base, sliding it on the tab until the **click** is heard.

4

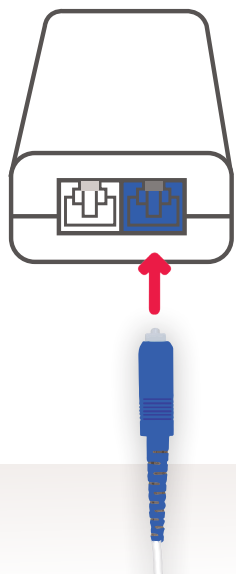


Run the armoured network cable from the outdoor unit to the indoor station through a window or a door.

EN

EN

5



Plug the Armoured network cable (10m) cable coming from the outdoor unit into the blue socket of the indoor station (WAN&POWER).

6



Completed these steps? The outdoor unit will be ready to provide fast internet when **both LEDs are green.**

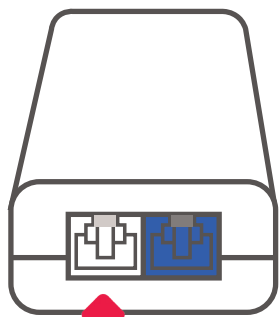
Setup Indoor Modem

1

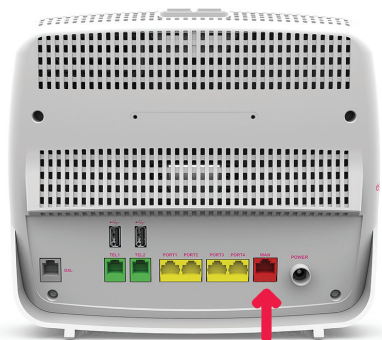
Creating a WiFi signal in the house

Connect the Sunrise Internet Box **to the power and switch it on** using the power button on the side of the box.





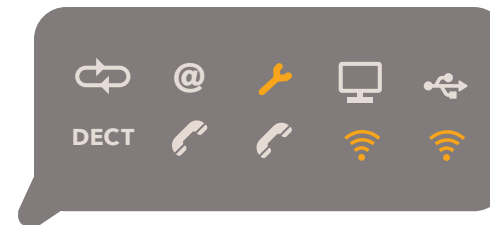
EN



2



Then, connect the POE Adapter from the outdoor unit with the Sunrise Internet box using the LAN cable (WAN port).



EN

The **yellow highlighted** panels should be lit to indicate the right functioning of the modem.

Tipps und Tricks



You can dim the LEDs. Briefly press both lower buttons simultaneously of the box.

Das bedeuten die LEDs:

- | | |
|----------------------------|---------------------------|
| Fiber connected | DECT DECT phone connected |
| Internet connected | Phone number ok |
| Configuring - do not touch | Phone number ok |
| TV service configured | WiFi (WLAN) on |
| USB device connected | WiFi (WLAN) on |

EN

To benefit from the fast Internet, connect your Wi-Fi devices to the new Sunrise Internet Box. (For an ideal Internet experience, switch off the Sunrise Internet Box you have been using to avoid interference)



If you would like to customize your Box, open the configuration page in your browser:
<http://sunrise.box>
<http://192.168.1.1>
The password is on the bottom of your Sunrise Internet Box.